



MALTA

_Refrigerators and freezers. Plug-in installation

The sales focal point.

Specially developed for smaller spaces, but with maximum sales impact. MALTA is accessible from all sides and products are easy to see.



VISUAL MERCHANDISING

MALTA combines attractive product presentation with optimum access to products from all four sides. Thanks to the bright LED interior lighting, MALTA achieves maximum sales impact in little space.



HIGH ENERGY SAVINGS

Save even more compared to conventional multi-unit systems, thanks to the sophisticated technology and design with AHT e-conomize. The electronically controlled, variable-speed compressor (VS) reduces power consumption by 25%. In addition, the new energy-saving fan saves 0.5 kWh every day.



ENVIRONMENT AND CLIMATE

MALTA units are completely CFC- and HFC-free and use the ecologically harmless and natural refrigerant propane (R290). R290 has the lowest GWP on the market. This makes them particularly environmentally friendly.



LOW COSTS

The low investment outlay and operating costs speak for themselves. In addition, the outer-skin condenser on MALTA provides for completely maintenance-free refrigeration.



INTELLIGENT INSTALLATION

Ready-to-connect installation means MALTA can be used immediately.



SEMI-AUTOMATIC DEFROSTING

Semi-automatic defrosting is possible in all temperature ranges. The constant temperature and high-quality plastic containers mean that the shelf life and hygiene of all products are always ensured.



COMPATIBLE WITH AMS

Our Active Monitoring System (AMS) allows us to detect problems before you notice them. As an essential add-on to all AHT products, the AMS makes it much easier for you to manage and monitor the AHT cooling systems in your stores.

INDIVIDUAL BRANDING

AHT cooling units are constructed individually: Using our template, you create the design, then we apply it directly during production.



TEMPERATURE RANGES

Cooling	+3°C to +15°C ¹
Freezing	-18°C to -23°C
Mince meat/meat chilling	0°C to +2°C

¹ Fixed preset that can be changed by a service technician

USPs

INDEPENDENT POSITIONING

MALTA can be accessed from both sides. It is ideal for smaller retail spaces, because it can also be used as a standalone solution for narrower aisles.





MALTA 145



MALTA 185

CONFIGURATIONS

Solo



Row

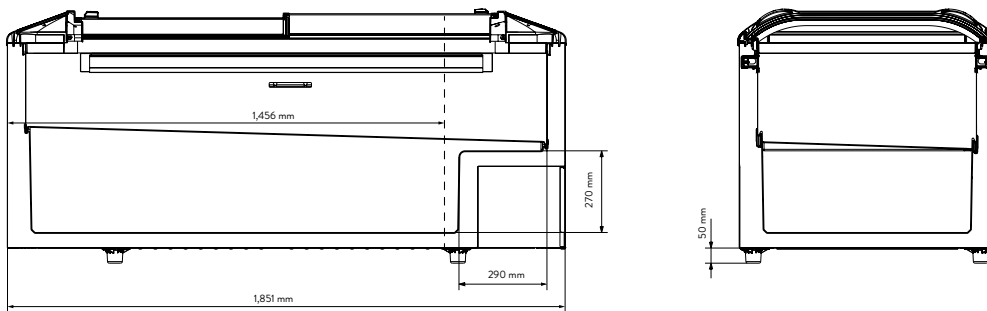




ACCESSORIES

- _ Water protection strip (colour change on customer request)
- _ Vario grid system (rack inserts & wire dividers) & baskets & product dividers
- _ Optionally with rollers (picture of the rollers)
- _ Colour and styling options tailored to customer requirements (housing, protective bumper strip, plastic parts in 2 standard colours)
- _ Compatible with the Active Monitoring System (AMS)

MALTA 145 / 185



DIMENSIONS

MALTA		145	185
Length, exterior / interior	mm	1,456 / 1,328	1,851 / 1,723
Depth, exterior / interior	mm	855 / 723	855 / 723
Height, front / rear	mm	770 / 833	770 / 833
Stacking height, front / rear	mm	490 / 490	490 / 490

Subject to technical changes; errors and omissions excepted. Version: 01/2022



AHT Cooling Systems Russia LLC
 Proezd 4807, build.1, Zelenograd
 124489 Moscow, Russian Fed
 Phone +7 499 136 59 59
 info@ru.aht.at
 www.ru.aht.at